

Title of the measure:	EU 5 Code of Conduct on Energy Consumption of Broadband Equipment
------------------------------	---

General description

Broadband equipment represents a potential new electrical load and it will contribute to the electricity consumption of households and the tertiary sector in European Community in the near future. Therefore it is necessary to maximised its electrical efficiency.

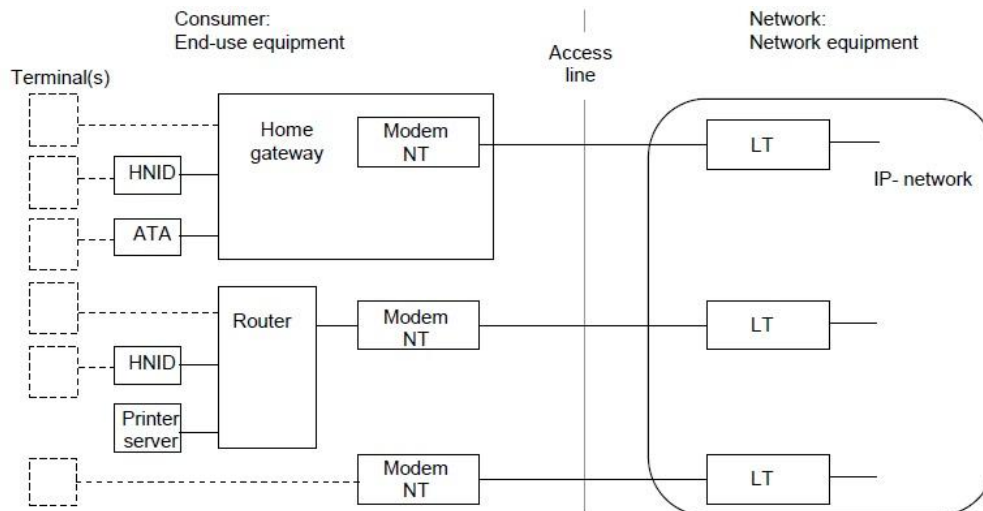
The DG JRC of the European Community elaborated a Code of Conduct for technology providers in this field. The aim of this Code is to reduce energy consumption of broadband communication equipment for at least 90% of the new broadband equipment that are introduced on the market or installed in the network after 1.01.2007 (previous establishment of maximum AC input power consumption targets).

Current Code of Conduct on Energy Consumption of Broadband Equipment v.5.0 valid from January 2014.

Table1: equipment covered:

End-user equipment ¹ associated with broadband distribution for residential customers and SOHO	Network equipment
<ul style="list-style-type: none"> • DSL modem • Cable modem • PLC modem • (DSL) router with/without WLAN up to 5 ports (1WAN port and 4LAN ports) up to 1000 Mbits/s • Small hubs and switches up to 8 ports (10/100/1000 Mbits/s) • WLAN access points • WiMAX² • Small printer server (connected to broadband) • Home gateway² • Telephone devices for VoIP (ATA or VoIP-Handset) • Optical network termination (ONT) <p>Equipment that is a combination of one or more of the equipment above</p>	<ul style="list-style-type: none"> • DSL port (example: ADSL, ADSL2, ADSL2+, VDSL2) • Combined port (example: MSAN, POTS/ISDN + ADSL2+ etc) • NTBA (ISDN terminator at customer premises)² • WiMAX Base Stations² • PLC & Cable service provider equipment² • Optical line termination (OLT)²

Figure1: Equipment covered:



Impact Assessment

Depending on the penetration level, the specifications of the equipment and the requirements of the service provider, a total European consumption of up to 50 TWh per year can be estimated for the year 2015. With the general principles and actions resulting from the implementation of this Code of Conduct the (maximum) electricity consumption could be limited to 25 TWh per year, this is equivalent to 5,5 Millions tons of oil equivalent (TOE) and to total saving of about € 7,5 Billions per year.



References

- Code of Conduct on Energy Consumption of Broadband Equipment (March 2006)
- Minutes of the Meeting of the working group on Energy Consumption of Broadband Communication Equipment and Networks, March 2006; European Commission DG JRC;
- <http://iet.jrc.ec.europa.eu/energyefficiency/ict-codes-conduct/energy-consumption-broadband-communication-equipment>
- http://iet.jrc.ec.europa.eu/energyefficiency/sites/energyefficiency/files/files/documents/ICT_CoC/cocv5-broadband_final.pdf